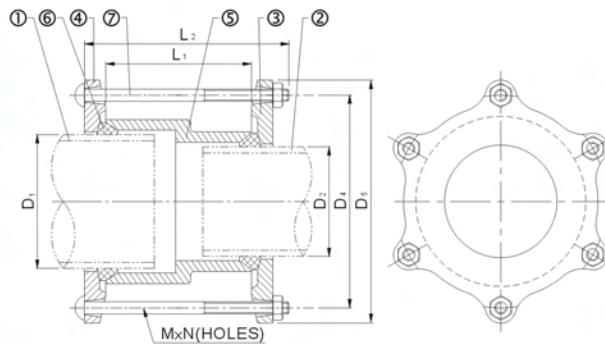


STEPPED COUPLING

For Ductile Iron Pipe - PVC Pipe

◆ ISO 2531:2000 / BS EN 545:2000



NO	PART NAME	MATERIAL
①	PIPE	DIP ISO 2531/EN 545
②	PIPE	PVC DIN 8062/BS 3505
③	RETAINER	DUCTILE IRON
④	RETAINER	DUCTILE IRON
⑤	BODY	DUCTILE IRON
⑥	RING	RUBBER
⑦	STUD	ELECTROPLATED GALVANIZED STEEL

MATERIAL SPECIFICATION

Bolts & Nuts	Electroplated Galvanized Zinc. Hot Dip Galvanized or S.S available at extra cost	BS 729:1971, ISO 1461
Center Sleeve	Ductile Iron	BS 2789:1985 Grade 420/12
End Gland Ring	Ductile Iron	BS 2789:1985 Grade 420/12
Rubber Gasket	SBR, EPDM or other	BS 2494:1990 Type W
Coating	Fusion Bonded Epoxy or Epoxy Coat	Minimum 200 µm thick

Dimension in mm

DN	D ₁	PVC		D ₄	D ₅	L ₁	L ₂	t	M	N
		D ₂								
80	98	90		169	198	102	178	7.0	16	4
100	118	110		189	218	102	178	7.5	16	4
150	170	160		241	270	102	178	8.0	16	6
200	222	200		293	322	102	178	8.5	16	8
250	274	250		345	374	102	178	9.0	16	8
300	326	315		397	426	102	178	10.0	16	8
350	378	355		458	491	152	262	10.5	16	10
400	429	400		509	542	152	262	11.0	16	12
450	480	450		556	589	152	262	11.5	20	12
500	532	500		608	641	152	262	12.0	20	12
600	635	630		711	744	152	262	13.5	20	14
700	738	710		814	847	152	262	14.5	20	16
800	842	800		918	951	152	262	16.0	20	20
900	945	900		1031	1064	178	278	17.0	22	20
1000	1048	1000		1134	1167	178	278	18.0	22	24
1100	1152	1100		1245	1278	178	290	19.5	24	28
1200	1255	1200		1348	1381	178	290	20.5	24	32



SHIN NAN CASTING FACTORY CO., LTD.

72, Jou-Wei Street, Yen-Jou-Li, Yung Kang City, Tainan Hsien 710, Taiwan, R.O.C.

http://www.snpipe.com e-mail:sales@snpipe.com.tw Tel:+886-6-2534185 Fax:+886-6-2533554